



15XP ALL 15XPT ROUNDERS

MADE
 IN
 GERMANY

По вопросам продаж и поддержки обращайтесь:

Архангельск (8182)63-90-72
Астана +7(7172)727-132
Белгород (4722)40-23-64
Брянск (4832)59-03-52
Владивосток (423)249-28-31
Волгоград (844)278-03-48
Вологда (8172)26-41-59
Воронеж (473)204-51-73
Екатеринбург (343)384-55-89
Иваново (4932)77-34-06
Ижевск (3412)26-03-58
Казань (843)206-01-48

Калининград (4012)72-03-81
Калуга (4842)92-23-67
Кемерово (3842)65-04-62
Киров (8332)68-02-04
Краснодар (861)203-40-90
Красноярск (391)204-63-61
Курск (4712)77-13-04
Липецк (4742)52-20-81
Магнитогорск (3519)55-03-13
Москва (495)268-04-70
Мурманск (8152)59-64-93
Набережные Челны (8552)20-53-41

Нижний Новгород (831)429-08-12
Новокузнецк (3843)20-46-81
Новосибирск (383)227-86-73
Орел (4862)44-53-42
Оренбург (3532)37-68-04
Пенза (8412)22-31-16
Пермь (342)205-81-47
Ростов-на-Дону (863)308-18-15
Рязань (4912)46-61-64
Самара (846)206-03-16
Санкт-Петербург (812)309-46-40
Саратов (845)249-38-78

Смоленск (4812)29-41-54
Сочи (862)225-72-31
Ставрополь (8652)20-65-13
Тверь (4822)63-31-35
Томск (3822)98-41-53
Тула (4872)74-02-29
Тюмень (3452)66-21-18
Ульяновск (8422)24-23-59
Уфа (347)229-48-12
Челябинск (351)202-03-61
Череповец (8202)49-02-64
Ярославль (4852)69-52-93

эл. почта: gdo@nt-rt.ru || сайт: <http://grundo-technik.nt-rt.ru>

Fully automatic rod exchange
in only 35 seconds for high productivity
and uniform wear of all rods

Spacious rod magazine
up to 210 m on board

Anchoring system
for increased stability while drilling
and **minimal rod wear**

Integrated high-pressure cleaner
Comfortable cleaning

SUCCESSFUL DUO

Efficiently flexible

Collecting tray for Bentonite
with (optional) Bentonite
suction pump



SIMPLE RELOADING

- If the rod supply in the magazine is not sufficient for the operation, single rods can be reloaded.
- The drill rod is placed into the feed orifice at the side by hand, from where it is transported to the magazine automatically.

Comfortable swivelling cabin
for high operator-convenience, clearly
arranged and can be positioned flexibly

Large GFRP service hood
easily accessible for service
and maintenance

**Wide undercarriage with
rubberised steel tracks** extremely
mobile and self-supporting



ADDITIONAL IMPACT FORCE



- Optional impact unit for additional dynamic ramming energy in the course of pilot drilling.
- Convertible to cable-guided bores for tracking in challenging terrains and at great depths.

MAXIMUM FLOW RATE



- The Bentonite pump forwards up to 200 or 300 l/min and allows for high speed and large upsizing diameters to be used in the process of upsizing.



GROUND CONTROL

Full vision, maximum comfort



OPTIMAL OPERATOR'S POSITION

The glazing configuration of the operator's cabin offers a panoramic view of the surroundings. The operating elements are clearly arranged and all functions and drilling parameters can be controlled without a problem via interactive control.

- Control panel
Industrial computer with internet access
- Data storage acc. to the latest standards,
printing via PC, USB port
- Recording of the complete bore course data
- Remote diagnosis with telemetric data transfer
- Semi-automatic with drill rod pull-in
- Fully automatic with option of automatic
paddle mode



TOTAL EASE OF USE

All functions are controlled at the push of a button via two multifunctional joysticks.

CUSTOMISED ERGONOMICS

The comfortable seat is air-sprung and can be adjusted individually. This makes it ideal for comfortable working.





EARN'S ITS REPUTATION FROM THE FIRST METRE ON

Application

All GRUNDODRILL rigs are designed for a wide range of applications; a long service life, minimal wear, minimal downtime and low consumption of resources and fuels – making them particularly flexible and economic – from the first day onwards.

■ UNDERCROSSINGS

The standard applications with the GRUNDODRILL include directional drilling operations beneath roads, railway tracks and buildings.

■ LONGITUDINAL BORES

Not only undercrossings, but also linear drilling operations and taking a parallel course to roads, water bodies and buildings, are all common applications.

■ CABLE-GUIDED DRILLING

When detection of the bore is especially demanding, cable guided drilling is applied, e.g. for deep boreholes, crossings underneath water bodies or railway tracks or when interferences occur.

The fluid-assisted HDD method

PILOT BORE*



Implementing of the planned bore path:

- Linear bores: pushing and rotation of the bore head.
- Curved bores: pushing of the aligned bore head, supported by paddle mode/impact unit if required.

UPSIZING & PIPE PULLING*



Installation of the product/protection pipe:

- Reverse pulling of the backreamer with pipe attached, intermediate upsizing may be necessary.

* Depending on soil type and required upsizing diameter special drilling tools are used.

WELL PLANNED EQUIPMENT IS HALF THE DRILL



Accessories

Drilling tools, perfectly adapted to the drill rig, guarantee an optimal drilling progress in every type of soil. Robustness and durability of all parts are guaranteed.

STANDARD DRILLING TECHNIQUE



15XP: TD61 rods
15XPT: TD73 rods



Medium Soil Reamer



Cone Reamer



GRUNDOREAM

Maintenance-free centrifugal pump for conveying up to 1800 l/min

870 l/min fresh water filter



WELL PREPARED TO SATISFY ALL NEEDS

Bentonite funnel with marking grid for 50 kg Bentonite, processes 25 kg of Bentonite in only 25 seconds.



A first-class drilling fluid technique is an important component for successful drilling. In combination with the drill rig and drilling tools, the drilling fluid technique of TT provides a coherent package for efficient work – even in complex soils.

Powerful mixing systems and pumps guarantee high drilling fluid performance. Professional measuring units and drilling fluid additives are available to ensure a drilling fluid quality that is well adapted to the soil.

For more information on this important topic, please visit our website for details on our in-house training courses or ask for further information on mixing systems and truck platforms.



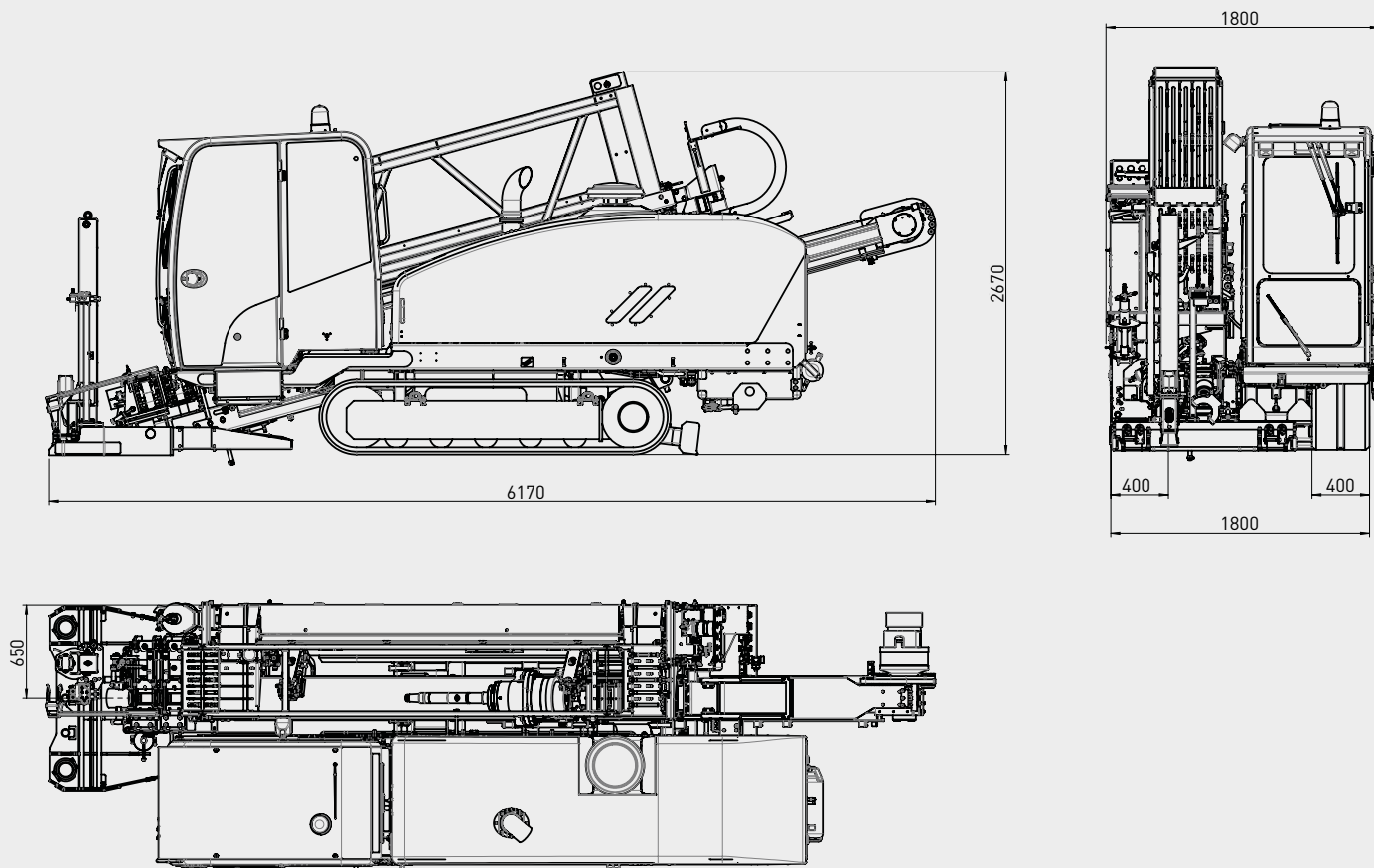
Mixing system MA07



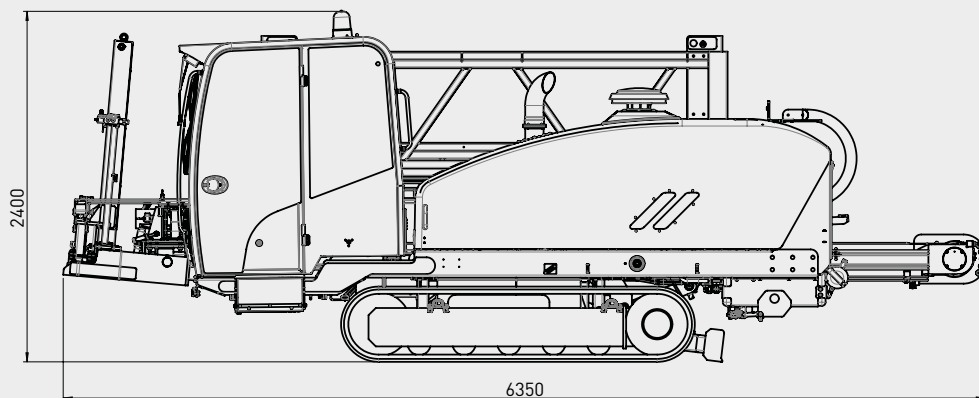
Mixing system MA10

TECHNICAL DATA GRUNDODRILL 15XP/15XPT

WORKING POSITION



TRANSPORT POSITION



TECHNICAL DATA



Model

GRUNDODRILL 15XP

GRUNDODRILL 15XPT

Basic equipment

- Cummins motor T4i/3b for driving and drilling operation, 119 kW
- Drill rig with rubber track under carriage, stabilisers
- Spacious cabin, comfortable seat, joysticks, graphic display
- Bore automatics
- Fully galvanised rod box
- Semi-automatic drill rod changing system
- Semi-automatic clamp and break-away facility
- Anchoring system with Bentonite collecting tray
- High-performance Bentonite HP pump on board the rig
- Bore data log - data transfer
- High pressure cleaner
- Optional: fully automatic, impact unit, wireless remote control, rubberised steel track under-carriage, air conditioning

- Cummins motor T4i/3b for driving and drilling operation, 123 kW
- Drill rig with rubber track under carriage, stabilisers
- Spacious cabin, comfortable seat, joysticks, graphic display
- Bore automatics
- Fully galvanised rod box
- Semi-automatic drill rod changing system
- Semi-automatic clamp and break-away facility
- Anchoring system with Bentonite collecting tray
- High-performance Bentonite HP pump on board the rig
- Bore data log - data transfer
- High pressure cleaner
- Optional: fully automatic, impact unit, wireless remote control, rubberised steel track under-carriage, air conditioning

Performance data

	Drill rod type: TD61	Drill rod type: TD73
L x W x H [mm]	6.150 x 1.850 x 2.400	6.150 x 1.850 x 2.400
Weight incl. rods [kg]	10.035	10.780
Rod magazine capacity [m]	210	180
Inclination angle	0°–20°	0°–20°
Thrust and pullback force [kN]	147	160
Max. torque [Nm]	4.500	6.500
Max. spindle rotation [rpm]	190	190
Pilot bore Ø [mm]	100	115
Drill rod Ø [mm]	62/54	73/63
Effective rod length [mm]	3.000	3.000
Rod weight [kg]	26	42
Upsizing Ø* [mm]	≤ 500	≤ 500
Outer pipe Ø* [mm]	≤ 400	≤ 400
Bore length* [m]	≤ 350	≤ 400
Min. bore radius [m]	42	55
Max. driving speed [km/h] 2stage	2 / 4	2 / 4
Fresh water tank [l]	100	100
Sound pressure level L_{PA} [dB(A)]	67.1	67.1
Sound power level L_{WA} [dB(A)]	97	97
Max. engine output [kW]	119	123
HP Bentonite pump [l/min]	200	225 (320)

* soil-dependent

По вопросам продаж и поддержки обращайтесь:

Архангельск (8182)63-90-72
Астана +7(7172)727-132
Белгород (4722)40-23-64
Брянск (4832)59-03-52
Владивосток (423)249-28-31
Волгоград (844)278-03-48
Вологда (8172)26-41-59
Воронеж (473)204-51-73
Екатеринбург (343)384-55-89
Иваново (4932)77-34-06
Ижевск (3412)26-03-58
Казань (843)206-01-48

Калининград (4012)72-03-81
Калуга (4842)92-23-67
Кемерово (3842)65-04-62
Киров (8332)68-02-04
Краснодар (861)203-40-90
Красноярск (391)204-63-61
Курск (4712)77-13-04
Липецк (4742)52-20-81
Магнитогорск (3519)55-03-13
Москва (495)268-04-70
Мурманск (8152)59-64-93
Набережные Челны (8552)20-53-41

Нижний Новгород (831)429-08-12
Новокузнецк (3843)20-46-81
Новосибирск (383)227-86-73
Орел (4862)44-53-42
Оренбург (3532)37-68-04
Пенза (8412)22-31-16
Пермь (342)205-81-47
Ростов-на-Дону (863)308-18-15
Рязань (4912)46-61-64
Самара (846)206-03-16
Санкт-Петербург (812)309-46-40
Саратов (845)249-38-78

Смоленск (4812)29-41-54
Сочи (862)225-72-31
Ставрополь (8652)20-65-13
Тверь (4822)63-31-35
Томск (3822)98-41-53
Тула (4872)74-02-29
Тюмень (3452)66-21-18
Ульяновск (8422)24-23-59
Уфа (347)229-48-12
Челябинск (351)202-03-61
Череповец (8202)49-02-64
Ярославль (4852)69-52-93

эл. почта: gdo@nt-rt.ru || **сайт:** <http://grundotechnik.nt-rt.ru>